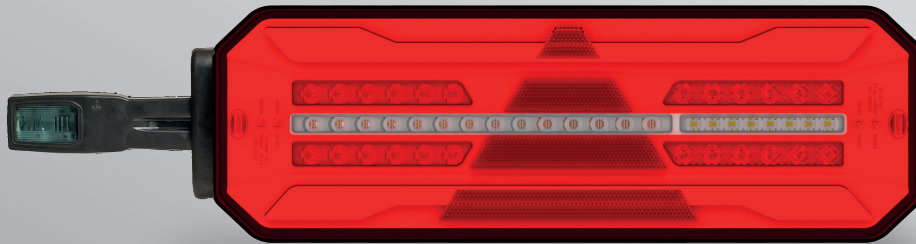
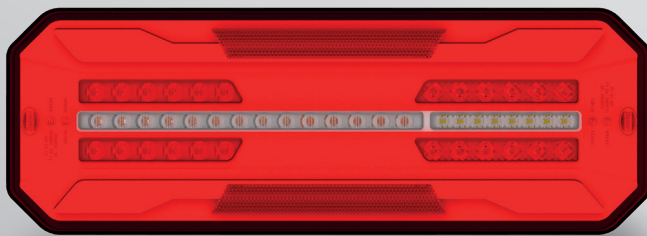




DSL-7000 SERIES

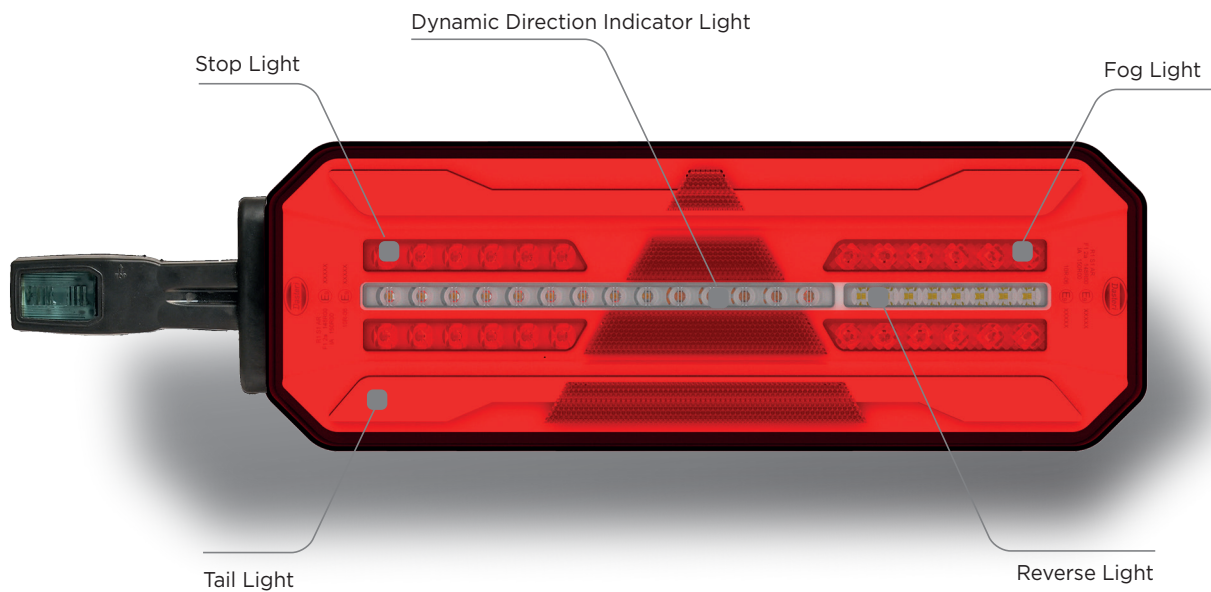
NEW LED REAR LAMP



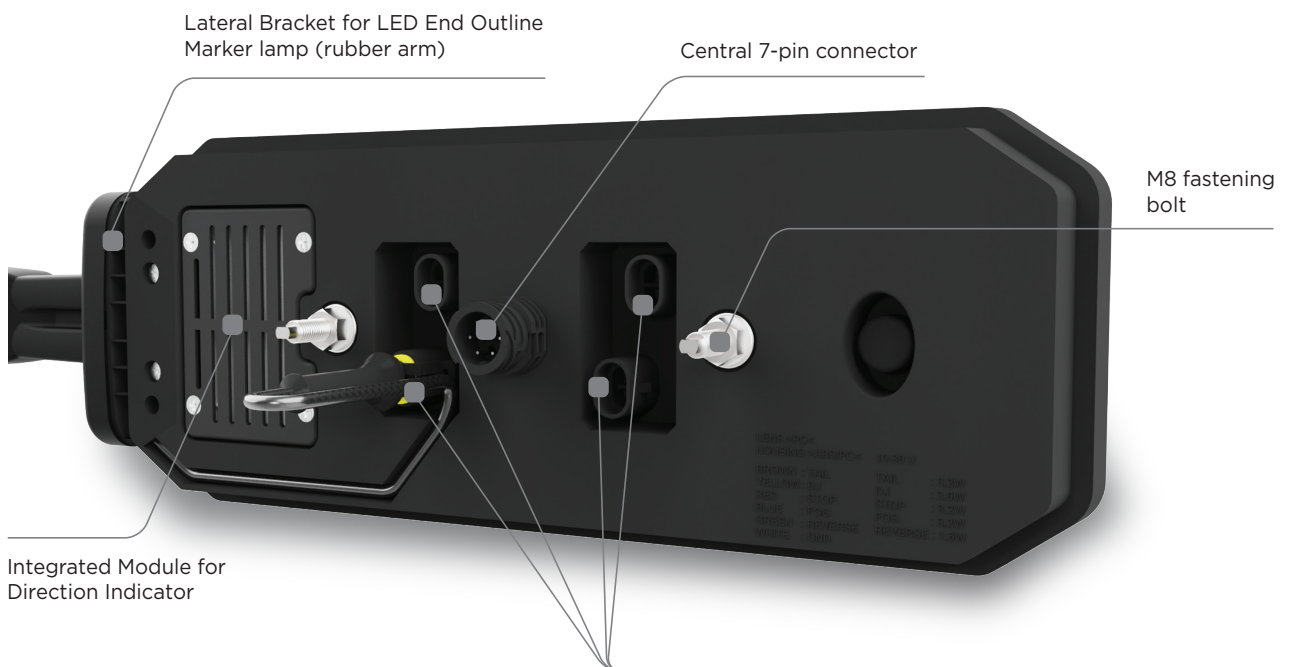
PRODUCT BENEFITS

- Attractive EU design with Dynamic Direction Indicator
- Multivoltage 10-30V compatible with almost all vehicles
- Robust design with lens fixed to the housing
- Impact resistant lens made of Polycarbonate
- Flexible modular solution that can easily be expanded to more features
- Increased visibility due to large illuminated surface of the tail function
- Tail light that stands out due to Glowing Body technology
- IP67 Protection
- Integrated Control Unit for Side Marker & Direction Indicator signal through 2-pin AMP superseal outputs
- LED End Outline Marker lamp can be connected easily by just sliding it into fixed connector position
- Optional up to 4x 2-pin connections on the rear side of the lamp for additional lighting components

FUNCTIONS LAYOUT



REAR SIDE CONFIGURATION



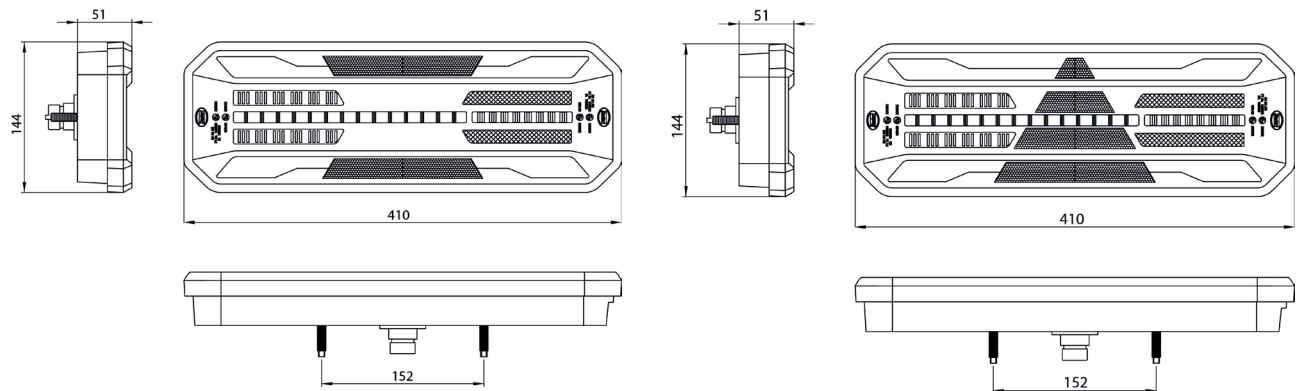
- 4x 2-pin AMP superseal connectors for additional lighting:
- LED Sidemarker Lamps with flashing signal from PCB
 - LED End Outline Marker Lamp
 - LED Work/Reverse Lamp
 - LED License Plate Lamp

TECHNICAL SPECIFICATIONS

TECHNICAL DATA

Operating Voltage		10 V - 30 V						
Reverse Polarity Protection		Yes						
Light Function & Max. Consumption	Direction Indicator Light	2.8 W						
	Tail Light	2.8 W						
	Stop Light	2.0 W						
	Fog	3.8 W						
	Reverse Light	2.3 W						
Temperature Range		- 40°C to + 60°C						
Type of Mounting		Fastening Bolts - M8						
Material	Lens	PC (Red + Clear)						
	Housing	ABS + PC (Black)						
Type of Protection		IP67						
Approvals	ECE	R150	R150	R148	R148	R148	R148	R148
		IIIA	IA	AR	F1	S1	R1	2a
	EMC	02	02	00	00	02	02	01
		R10-06						
Type of Connection	Standard Versions	7-pin AMP Connector or Cable Output						
	Additional Connection Options	4 x 2-pin AMP Superseal Connectors						

DIMENSIONAL DRAWING



CODES SERIES DSL-7000 OVERVIEW

REF. No	TRUCK	LEFT	RIGHT	CABLE	7-pin AMP	4x2-pin AMP superseal	Number Plate Lamp	Load Module for Indicator Failure Control
DSL-7000	•		•	•				Add M to Ref. No.
DSL-7001	•	•		•				
DSL-7002	•		•		•			
DSL-7003	•	•			•			
DSL-7004	•		•		•	•		
DSL-7005	•	•			•	•		
DSL-7005PL	•	•			•	•	•	

REF. No	TRAILER	LEFT	RIGHT	CABLE	7-pin AMP	4x2-pin AMP superseal	Load Module for Indicator Failure Control	Led End Outline Marker Lamp
DSL-7000TR	•		•	•			Add M to Ref. No.	For DSL-620 add to ref code 620/12 for 12V or 620/24 for 24V
DSL-7001TR	•	•		•				
DSL-7002TR	•		•		•			
DSL-7003TR	•	•			•			
DSL-7004TR	•		•		•	•		
DSL-7005TR	•	•			•	•		For DSL-622 add to ref code 622/12 for 12V or 622/24 for 24V