



# DSL-LB12

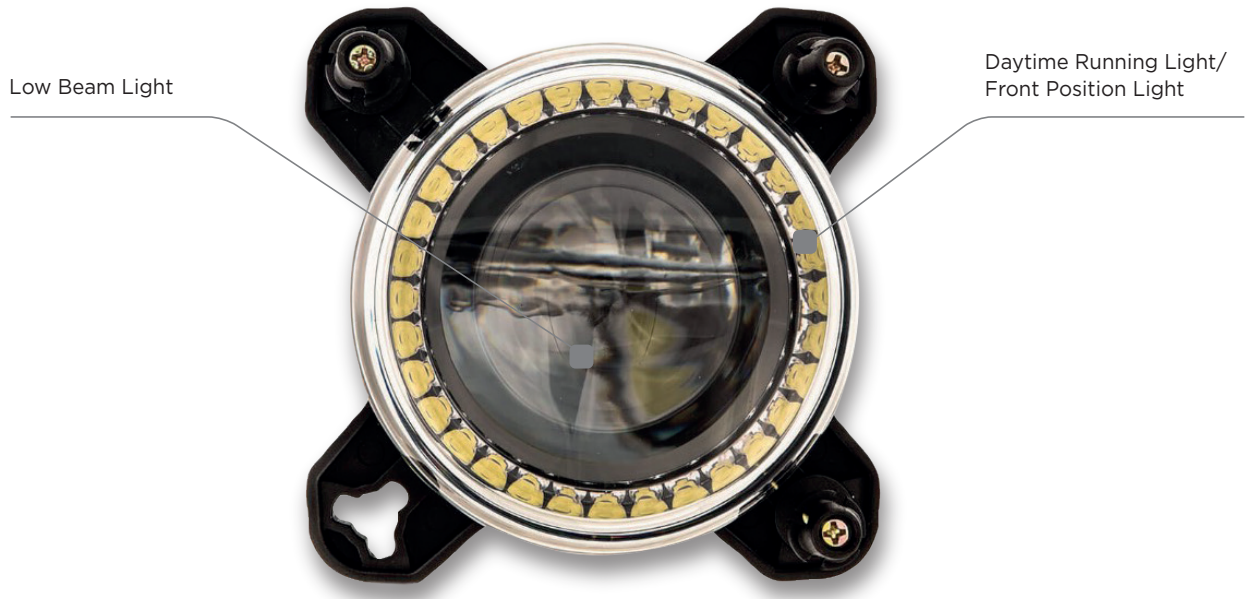
## FRONT LED 3-FUNCTION HEAD LAMP



### PRODUCT BENEFITS

- Three functions in one: Low Beam, Day Running Lamp, Front Position
- Ideal for various types of Vehicles and Applications
- High emitted light performance
- More compact housing design
- Multivoltage 12-24V
- IP69 Protection

# FUNCTIONS LAYOUT

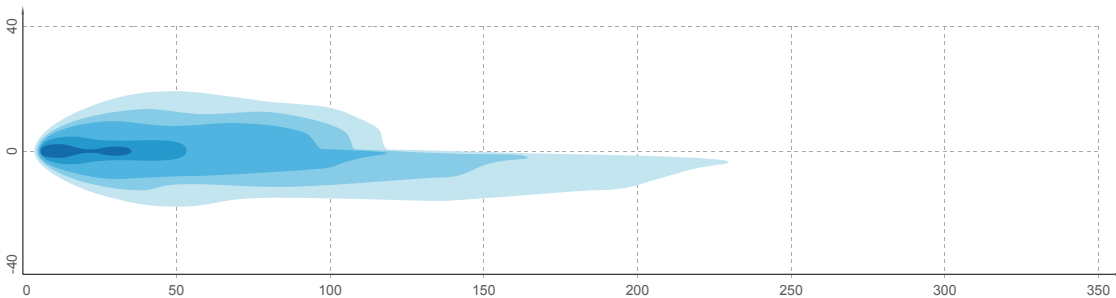
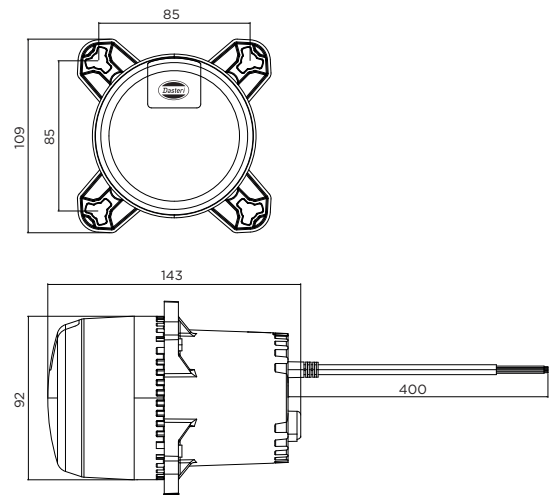


# TECHNICAL SPECIFICATIONS

## TECHNICAL DATA

Operating Voltage		10 V - 30 V			
Reverse Polarity Protection		Yes			
Light Function & Max. Consumption	Low Beam Light	17.4 W			
	Daytime Running Light	5.2 W			
	Front Position Light	1.1 W			
Temperature Range		- 40°C to + 65°C			
Type of Mounting		3x Adjuster Screws (5x69)			
Material	Lens	PC (Clear)			
	Housing	ADC12 (Black)			
Type of Protection		IP69			
Approvals	ECE	Low Beam (left & right hand traffic)	Daytime Running Light	Front Position Light	
		R149.00	R148.00	R148.00	
	Class B		RL	A	
	SAE		Dot		
	EMC		R10-06		
CISPR 25		Class 3			
Type of Connection	Standard Versions	400mm Cable Output			

## DIMENSIONAL DRAWING



Beam pattern: LB  
Illuminance (LUX)

