



DSL-HBD12

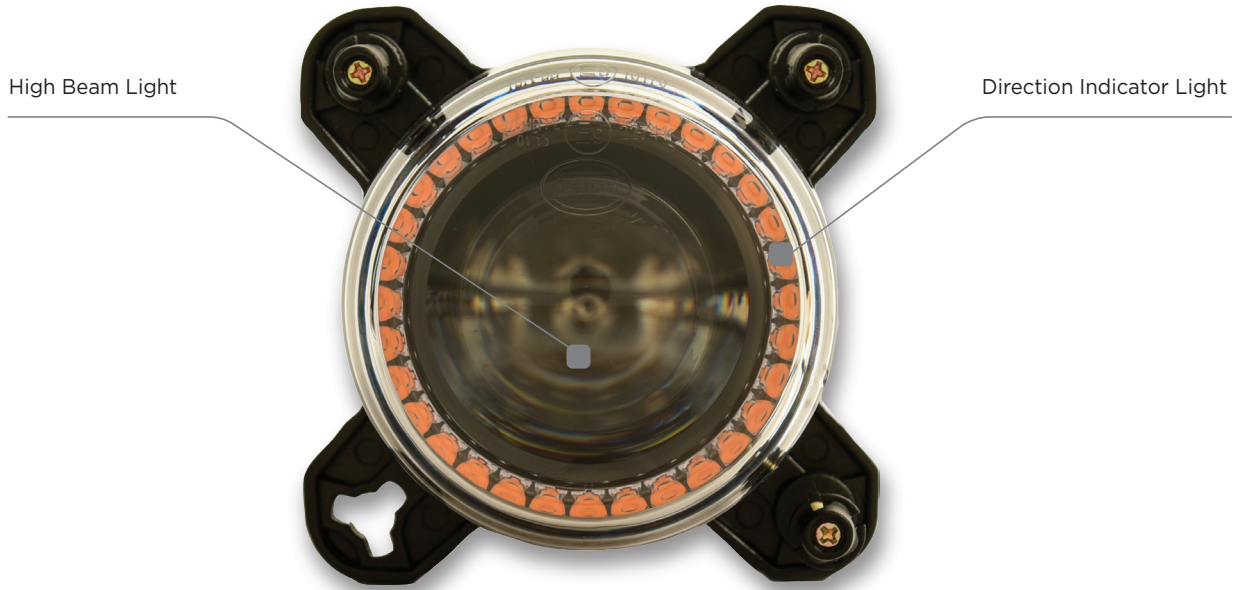
FRONT LED 2-FUNCTION HEAD LAMP



PRODUCT BENEFITS

- Two functions in one: High Beam, Direction Indicator
- Ideal for various types of Vehicles and Applications
- High emitted light performance
- More compact housing design
- Multivoltage 12-24V
- IP69 Protection

FUNCTIONS LAYOUT

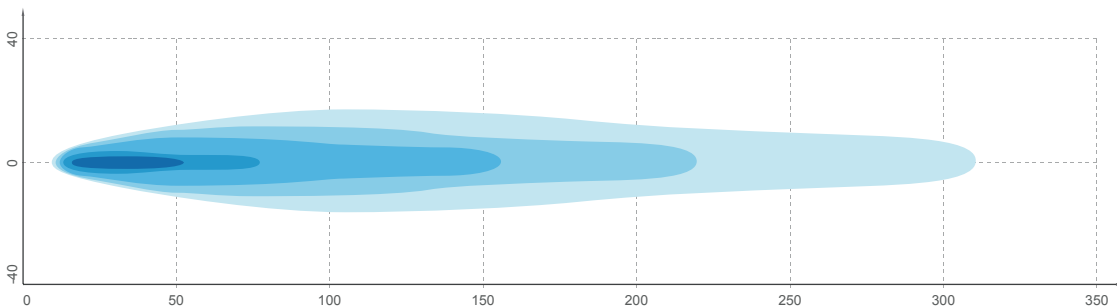
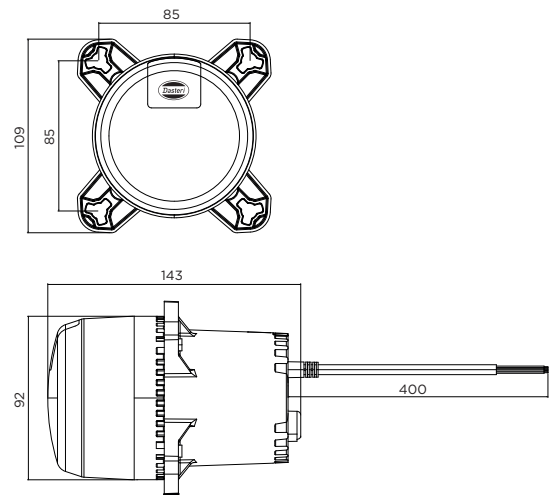


TECHNICAL SPECIFICATIONS

TECHNICAL DATA

Operating Voltage		10 V - 30 V	
Reverse Polarity Protection		Yes	
Light Function & Max. Consumption	High Beam Light	18 W	
	Direction Indicator Light	6.4W	
Temperature Range		- 40°C to + 65°C	
Type of Mounting		3x Adjuster Screws (5x69)	
Material	Lens	PC (Clear)	
	Housing	ADC12 (Black)	
Type of Protection		IP69	
Approvals	ECE	High Beam	Direction Indicator
		R149.00	R148.00
	Class B	1b	
	EMC	R10-06	
	CISPR 25	Class 3	
Type of Connection	Standard Versions	400mm Cable Output	

DIMENSIONAL DRAWING



Beam pattern: HB

Illuminance (LUX)

